



A corrugated liner with a premium bright, white print surface that's waterproof, grease proof and engineered for recyclability.

Ideal for inner/outer liners and corrugated mediums as a wax replacement and provides POP high-quality aesthetics and functionality.

Waterproof Barrier

EarthLiner provides a waterproof barrier which helps prevent transit and storage related mold, stains & structural degradation. It is also provides outstanding moisture, oil, grease proof & fatty acid barrier performance.

High Quality Print Surface

EarthLiner is available in clear or white and provides a premium print surface without the need for harmful bleaching agents.

Material Cost Savings

Compared to traditional rod coated or laminated corrugated materials, EarthLiner can offer significant material cost savings.

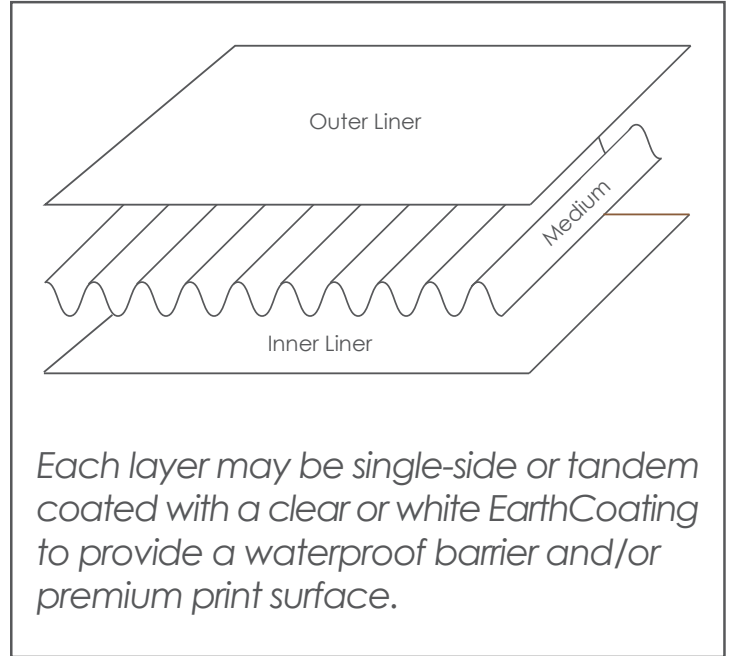
Machinability

EarthLiner can be universally die-cut, folded and glued using existing converting equipment.

Environmental Benefits

Corrugated packaging & POP displays made using EarthLiner often qualify for the "Widely Recycled" How2Recycle* mark.

*How2Recycle marks subject to Sustainable Packaging Coalition approval. All inquires should be directed to info@How2Recycle.org



Comparison	EarthLiner	Kemi	Rod Coatings	Wax Coated
Engineered for Recycling	✓	✓	✓	✗
Waterproof Barrier	✓	✗	✓	✓
Premium Print Surface	✓	✓	✗	✗
Heat Sealable	✓	✗	✗	✗
Cost	Low	Medium	Medium	High

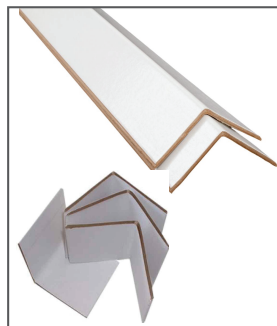
Applications



Point-Of-Purchase Displays



Boxes & Containers



Corner boards



Food Trays



Wax Replacement

To learn more, contact Todd Gasparik at 949-610-7063 or Todd@SmartPlanetTech.com